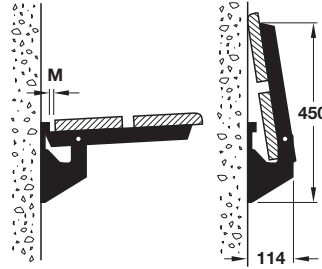
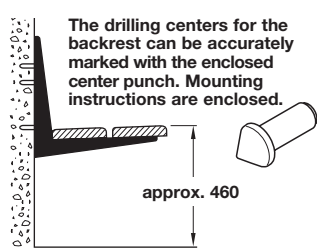
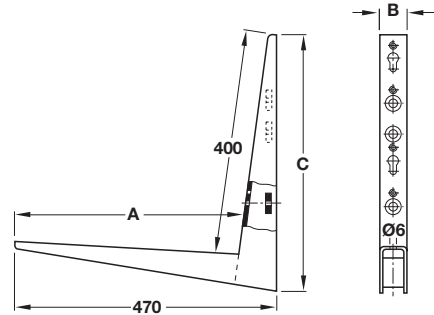


### Brackets



Seat thickness	Minimum gap M
25 mm	17 mm
30 mm	17 mm
35 mm	22 mm
40 mm	28 mm



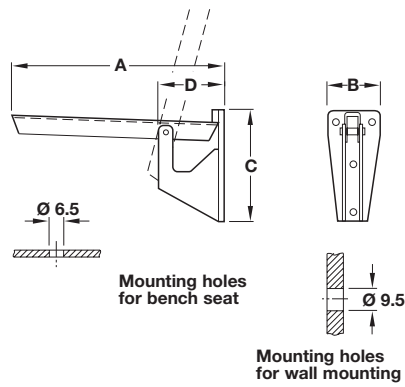
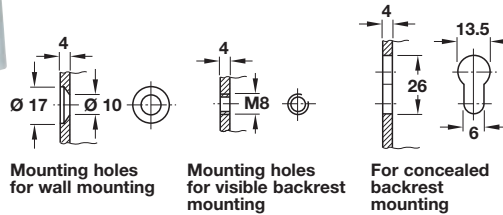
#### Hebgo Bench Bracket

- Heavy-duty model
- Load capacity to 500 kg (1100 lbs.) per pair**

Material: steel, galvanized

Dimensions			Item No.
A	C	B	
410	460	48	287.47.971

Packing: 1 pc.



#### Hebgo Folding Bench Bracket

- Heavy-duty model for outdoor use
- Load capacity to 500 kg (1100 lbs.) per pair**

Material: steel, galvanized

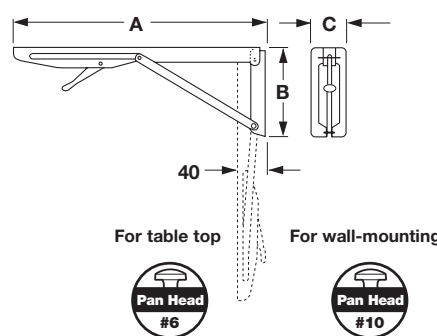
Dimensions				Item No.
A	C	D	B	
380	208	114	90	287.47.917

Packing: 1 pc.

**Note:**  
Load capacities are approximate figures and can change depending on application. These figures were determined by static test-distributing the weight evenly over the surface, but not extending the length of the bracket.



To fold, lift slightly (to release the safety device). Press the release lever and the bracket will fold down.



#### Folding Bracket

- With locking device in supporting arm
- Load capacity to 50 kg. (110 lbs.) per pair**

Material: steel, bright galvanized

Dimensions			Color	
A	B	C	black	white
300	115	42	287.49.322	287.49.724

Packing: 1 pair